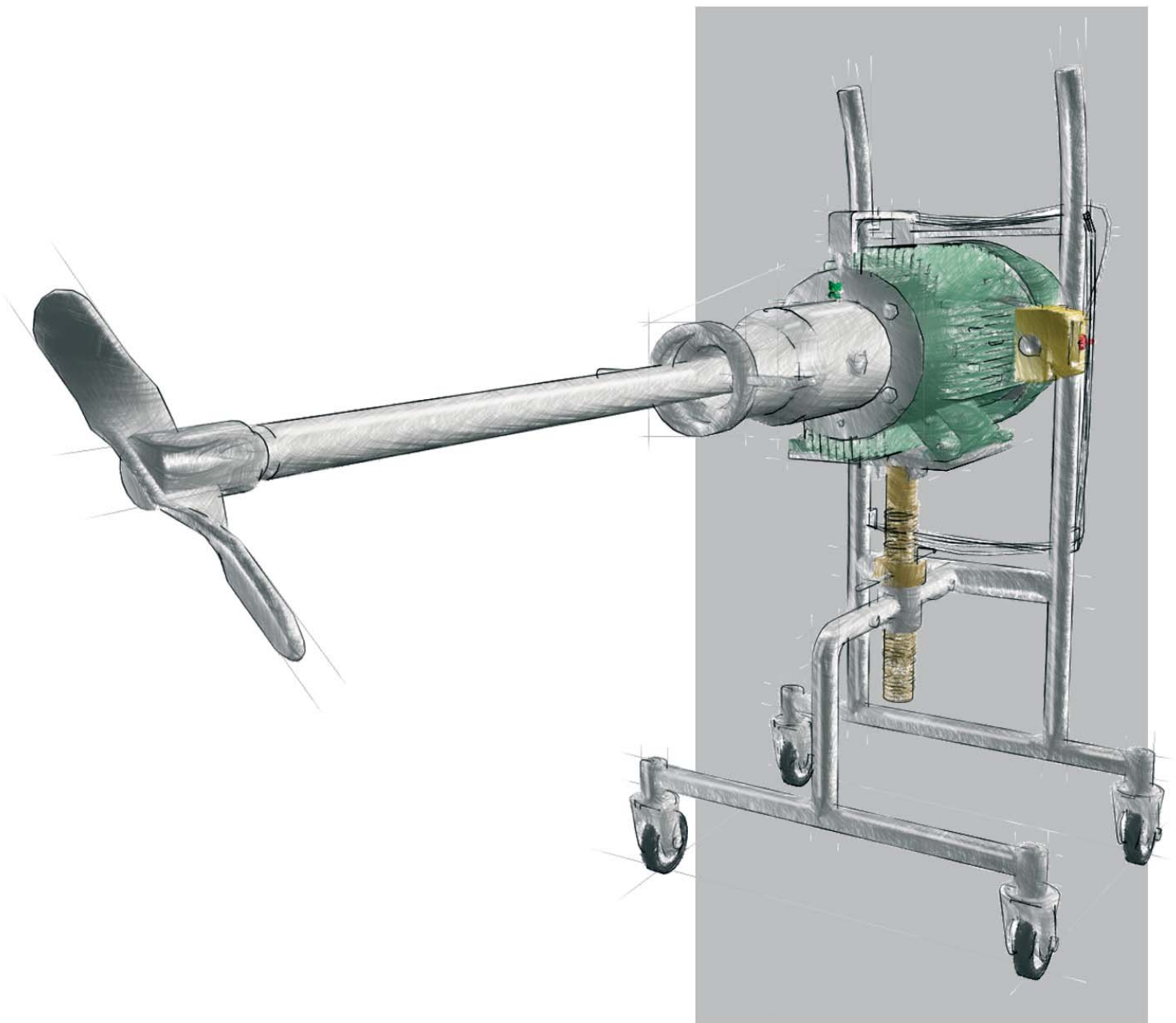


Guth Portable Agitators RA

The long-term solution



Applications

Guth Portable Agitators RA are used for the mixing, stirring and the homogenization of water-like or medium viscosity products. They are most often used in wine cellars for the production of wine and sparkling wine, but are also utilized in other areas of the food and beverage industries in which gentle and effective mixing is required.

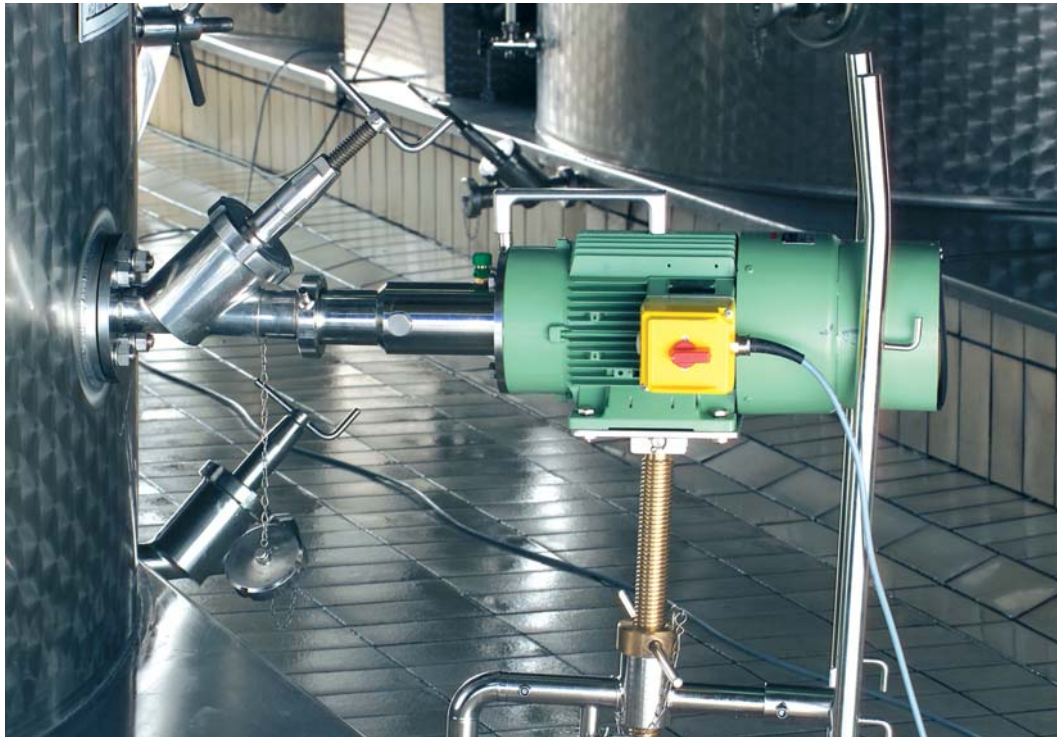
The classic characteristics of the RA series agitators are their lasting durability and their gentle efficiency. They are an important partner in winemaking throughout the world due to their first rate mixing results. The Guth Portable Agitator RA is the unparalleled, long-term solution for every mixing problem.

Possible applications for the RA agitator include:

- Stirring of liquids to prevent deposit of turbids and other solid substances as well as stirring of the dregs for biological acid reduction.
- Achievement of homogeneous mixtures, even if the two liquids have different specific gravities.
- Clarification and homogenization during blending.
- Mixing of liquids with solid or gaseous products such as fining agents, sulfuric acid or carbonic acid.
- Emulsification of sterile preparations and the homogenization of distillations.
- Acting as a catalyst for reactions such as fermentation, dissolving sugar and spreading sugar solutions.
- Increasing the efficiency of artificial cooling and heating, and uniform penetration during cooling operations.
- Stirring of the dregs helps to increase the activity in slow fermentations.



Characteristic Features

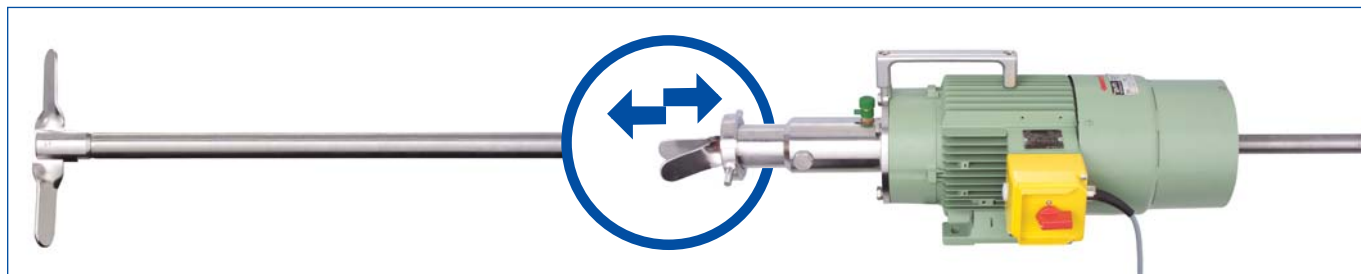


- Gentle stirring and mixing in combination with unmatched mixing results! The special bearing of the agitator shaft inside the hollow shaft of the motor ensures smooth running, free of vibrations.
- Installation and removal is possible on filled vessels, which means one agitator can be used for a number of tanks - no pumping from one tank to another.
- The mixing process takes very little time! This makes work more efficient without annoying waiting times.
- Lasting durability, even under the toughest of conditions.
- The convenient lightweight agitators are easily portable and, if desired, they can even be mounted onto a support stand.
- The slide ring seal guarantees trouble-free functioning even during continuous service (up to 10 bar). For highly aggressive liquids greater durability seals can be supplied.
- The various sizes of the RA series allow you to choose the optimal and most cost-efficient solution depending on your tank size, type and medium.
- No loss of product or pressure during installation on and removal from full tanks!
- Simple and quick installation and de-installation onto different tank fittings and threads (e.g. Pfalz, Mainz, Garolla, Macon) - no special tools or devices needed!
- All parts in contact with the product are made of stainless steel! In cases of extremely high corrosion resistance requirements these parts can also be made of alternative stainless steel types.
- Wide range of accessories for numerous applications!
- Assistance concerning the optimal installation position and angle as well as an individual installation drawing included!

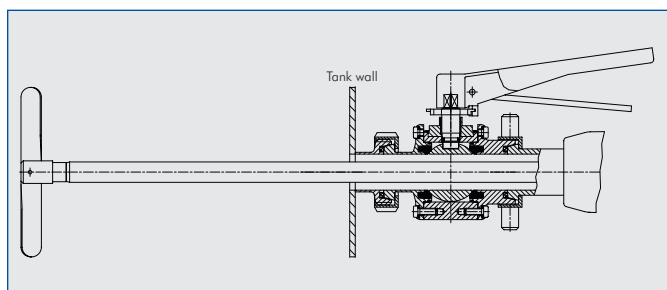
Installation

Guth Portable Agitators RA can be flexibly installed onto various tank fittings. A screw connection (liner/nut) connects the agitator directly with the fitting. All tank fittings with a fullport design and an inner diameter of

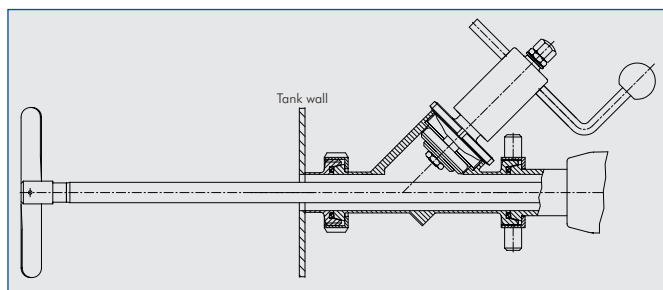
at least 32 mm are suitable, e.g. ball valves, inclined seat valves, drain valves and tap closing valves.



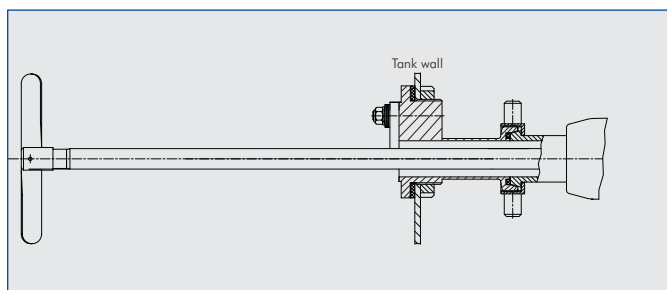
Installation examples



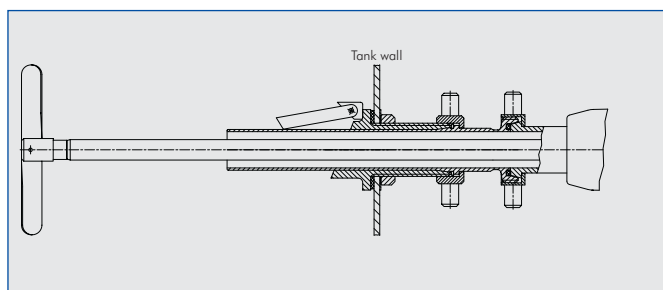
Installation to ball valve



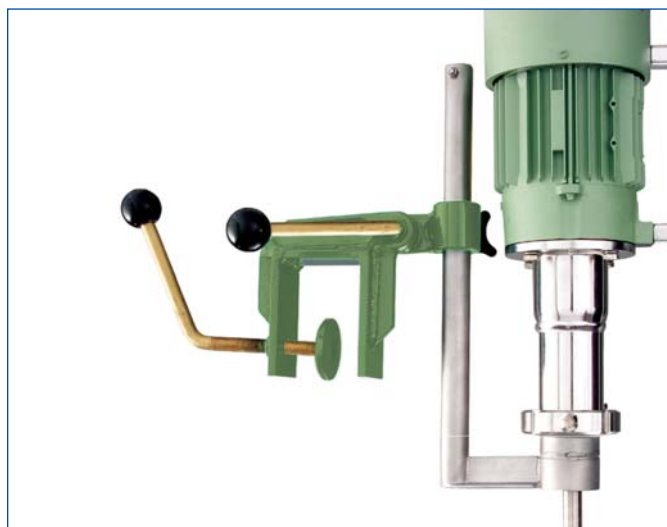
Installation to inclined seat valve



Installation to drain valve



Installation to tap closing valve (here the buffer tube is to be used in order to prevent damages to the shaft)



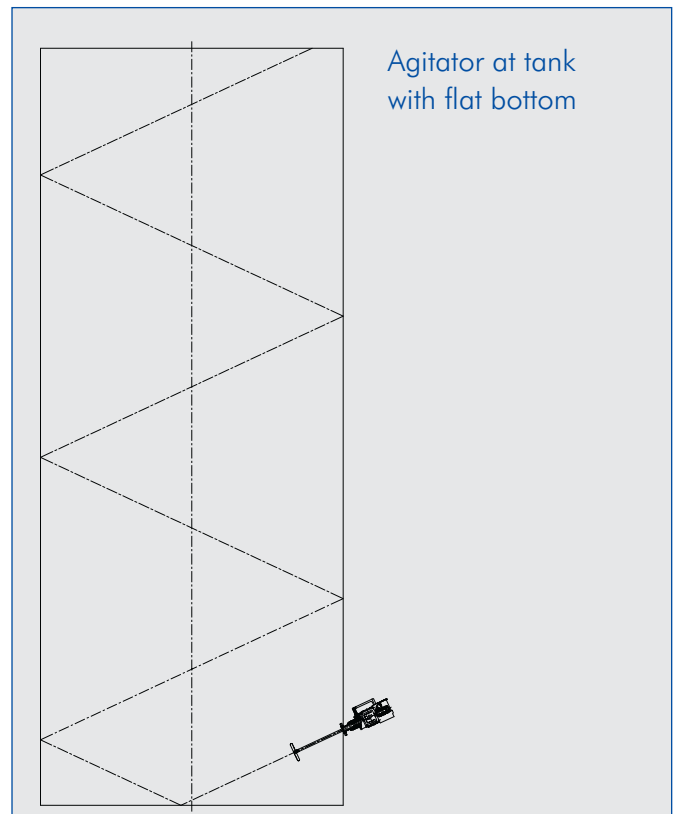
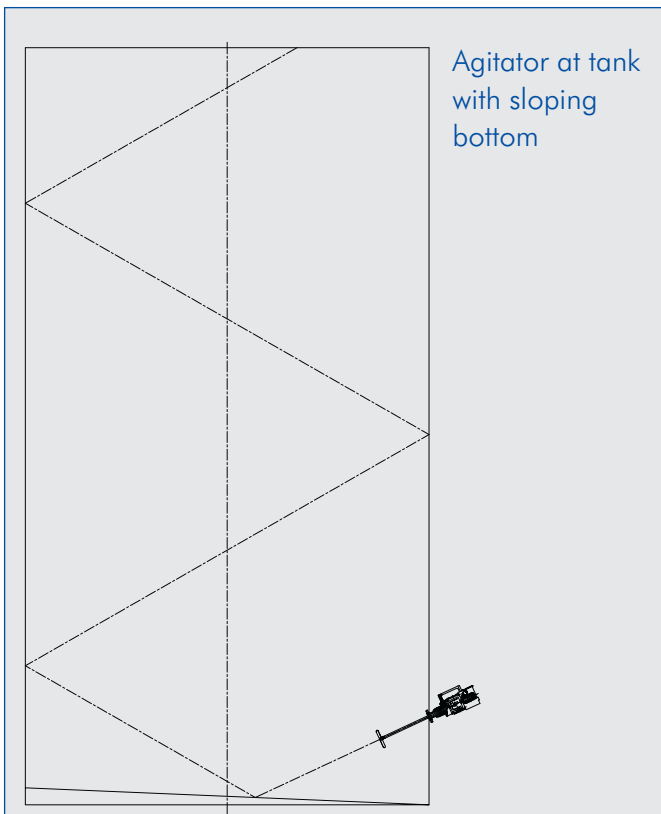
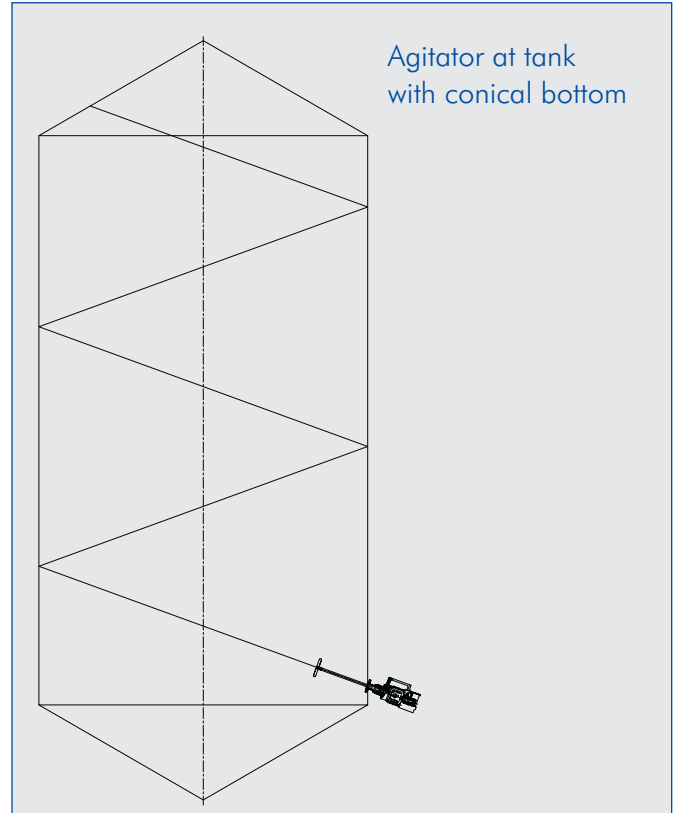
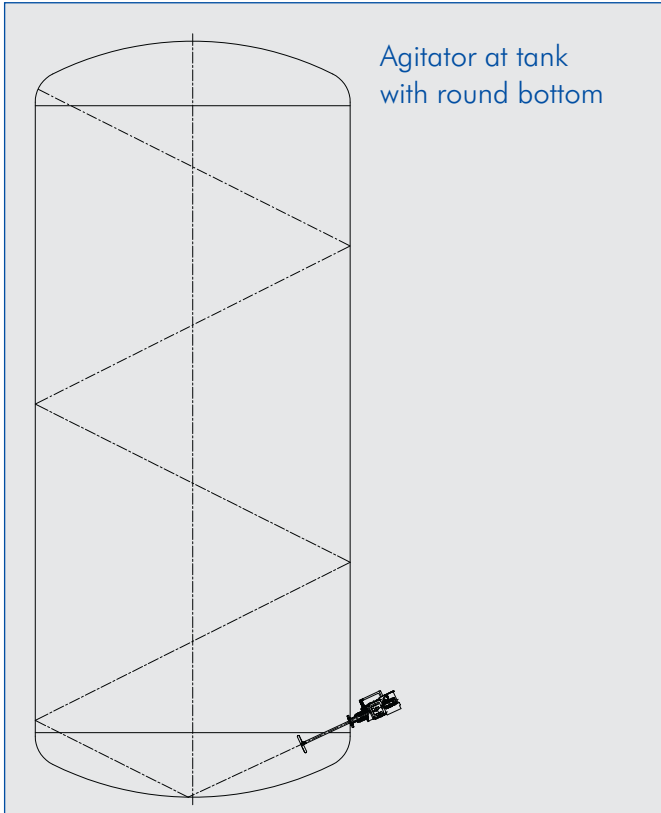
Installation at special mounting plate

Guth Portable Agitators RA can also be fastened to open tanks and vats when vertical stirring is sought, e.g. for producing sugar solutions and fining agents

Adjusting directions: vertical/installation angle
Material: Malleable cast iron/brass

Installation

According to the size and form of the tank, the optimum installation position and angle can vary. We will be glad to assist you in determining the optimum installation position for your tank. Below are a few examples:



We will be happy to assist you with an individual installation drawing. In order to do so we would need all relevant information about the tank when placing your order: height, diameter, bottom type, media, etc.

Propeller Types



Pivoted Blade Propeller

The pivoted blade propeller (standard) is mainly used to allow an installation on full tanks. It will be introduced while folded and spreads its blades when the engine is started.



Three-blade Propeller

The use of this rigid propeller improves the dissolving of sugar, fining agents and similar agents in open tanks and vats.



Mixing Head

The mixing head is a three-blade propeller with an additional protection ring to prevent damages during the working process in open tanks and vats.

Gassing Unit

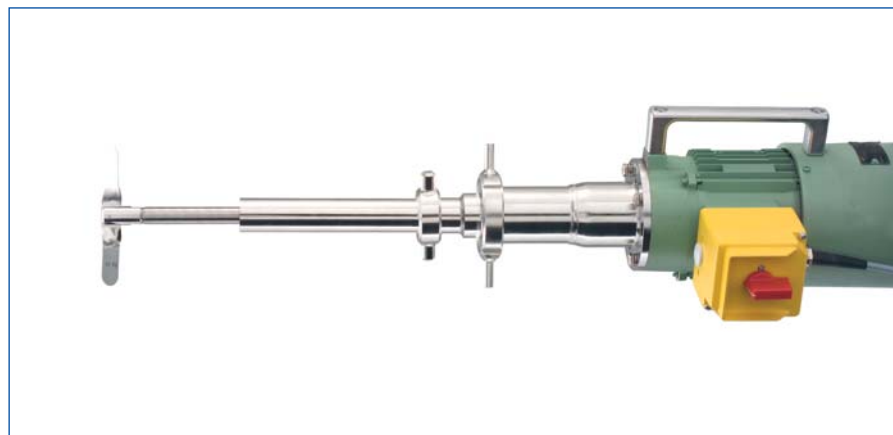


A special flange housing with an inlet valve made of chrome-nickel steel allows direct injection of sulfur dioxide (SO_2), carbon dioxide (CO_2) and the like, while the agitator is running. Thus when gasses are added to the liquid they are intensively mixed immediately upon their introduction.

Gassing unit: DN 10 with hose nozzle

Material: chrome-nickel steel,
highly polished

Buffer Tube



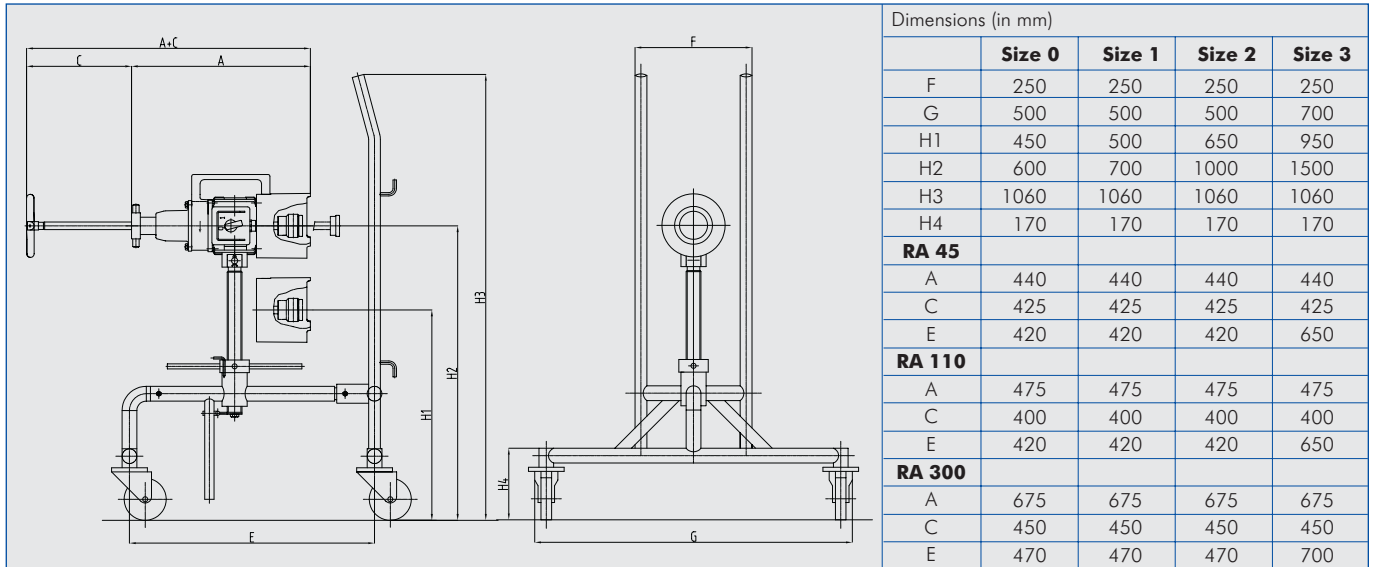
The use of the buffer tube allows the agitator to be used at tap closing valves and similar special fittings without damage being done to the agitator shaft at installation and de-installation.

Material: chrome-nickel steel,
highly polished

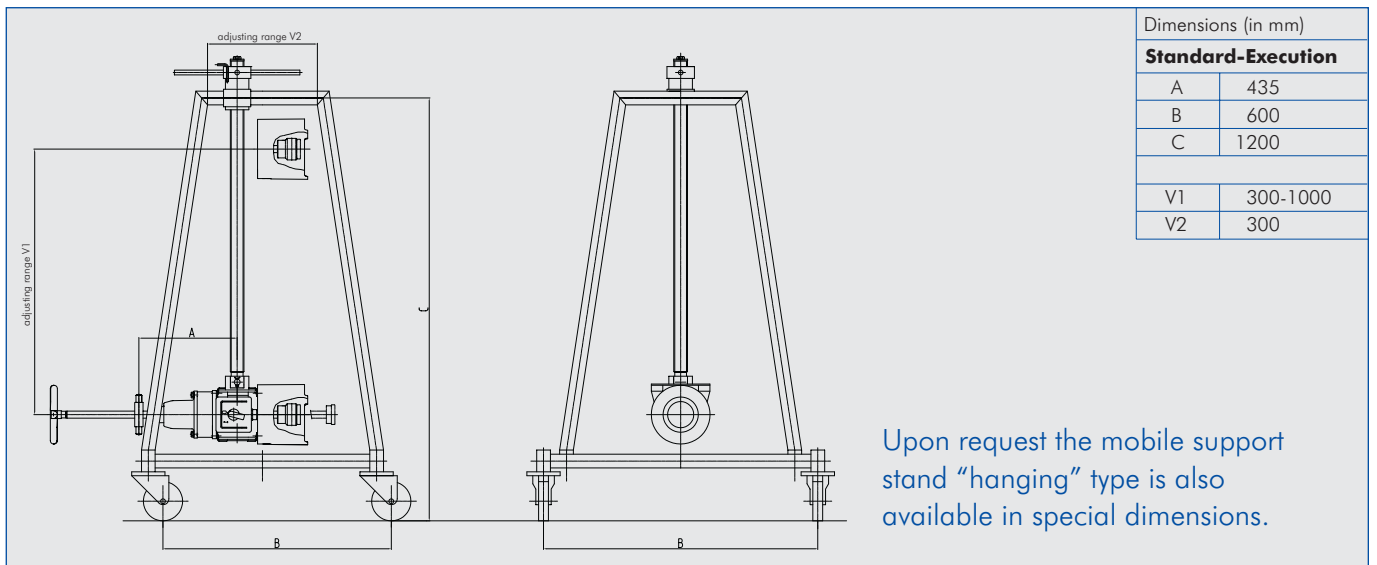
Mobile Support Stands

The mobile support stand holds the agitator when in use. They facilitate installation and removal and ensure that all movements can be carried out in an ergonomic way. They also relieve the tank fitting from additional weight. For the agitator type [RA 300](#) a mobile support stand is strongly recommended.

„Sitting“ Type

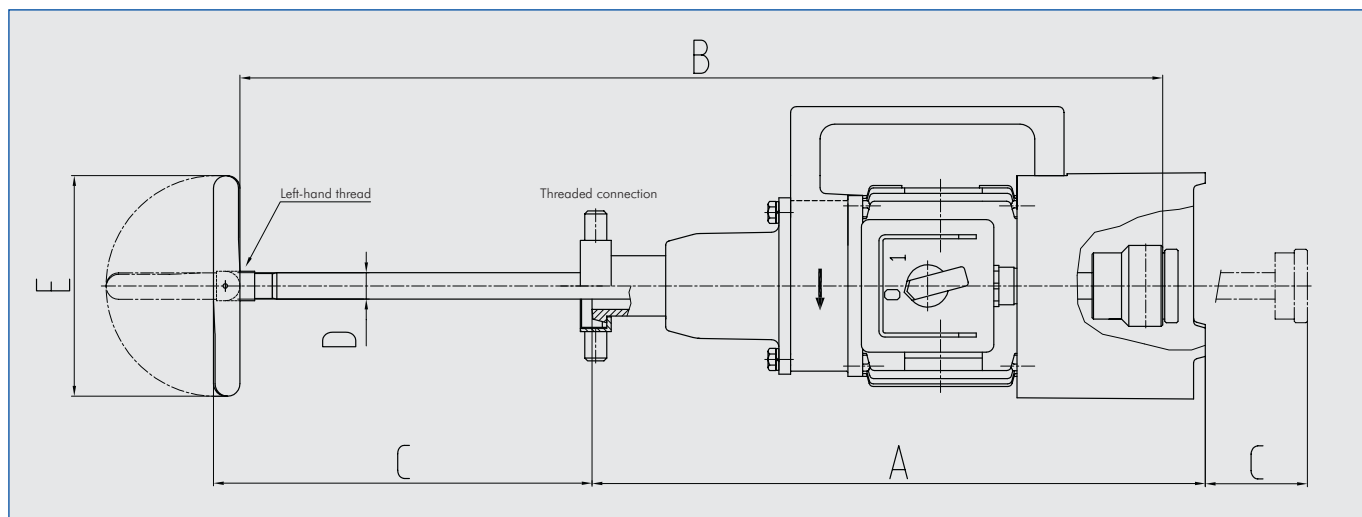


„Hanging“ Type



Both mobile support stands are easy to disassemble and thus effortless to transport.

Dimensions and Technical Data



		RA 45	RA 110	RA 300	RA 20/95	
Tank volume ¹	Ltr.	20.000	50.000	100.000	20.000	
Power	KW	0,45	1,1	3	0,20 / 0,95	0,20 / 0,95
Voltage	V	230/400	230/400	230/400	230	400
Frequency	Hz	50	50	50	50	50
Rounds p.m.	R/min	1500	1500	1500	750 / 1500	750 / 1501
Nominal current	A	2,3 / 1,3	4,8 / 2,8	12 / 7	2,5 / 2,5	1,45 / 1,45
Weight	kg	16	22	42	22	
Length ²	A	440 ³	475 ³	675 ³	475 ³	
Standard Shaft	B	800	800	1000	800	
(maximum length 1200)	C	425	400	450	400	
	D	18	18	28	18	
Propeller	E	147x25	175x30	220x35	160x30	

¹ The information refer to water-like media

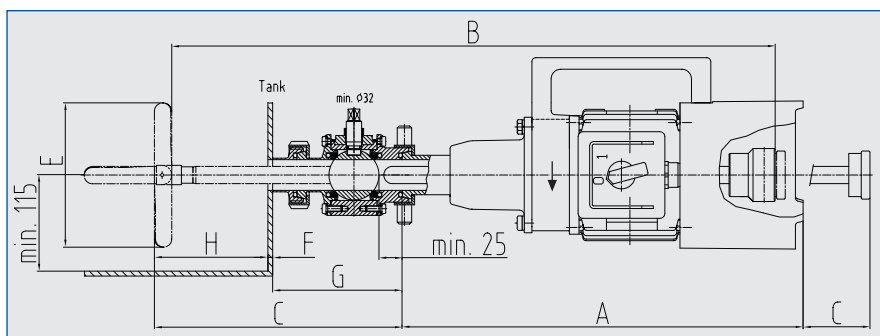
² All dimensions in mm

³ If with standard liner/nut connection

Special engines and connections, longer shafts, and elongated cables are available upon request.

Specification Advice

The length of the shaft (H) that enters into the tank should amount at least 150 mm. This means that for the minimum length of the shaft: $B_{min} = A + F + H (= 150 \text{ mm}) + G$ (length of the tank fitting). Especially in cases of tanks with thick walls (brick and mortar) and long tank fittings it is recommended to lengthen the shaft.



Guth Ventiltechnik GmbH & Co. KG

Horstring 16, Postfach 1309

D-76829 Landau, Germany

Tel.: +49 (63 41) 51 05-0, Fax: +49 (63 41) 51 05-85

www.guthventiltechnik.de, e-mail: info@guthventiltechnik.de